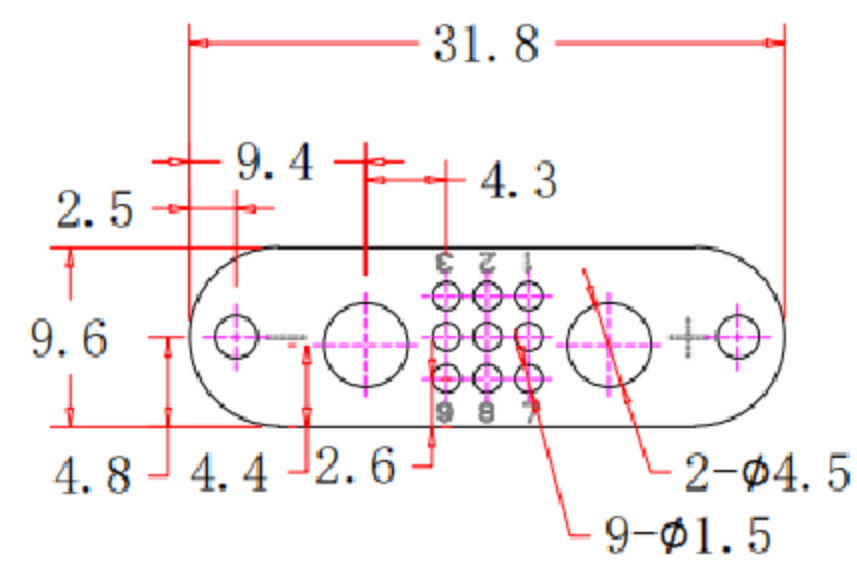
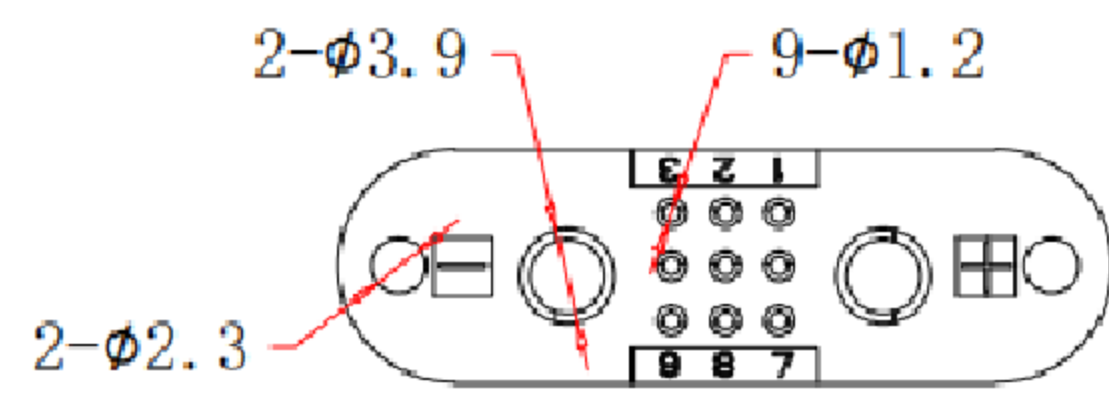
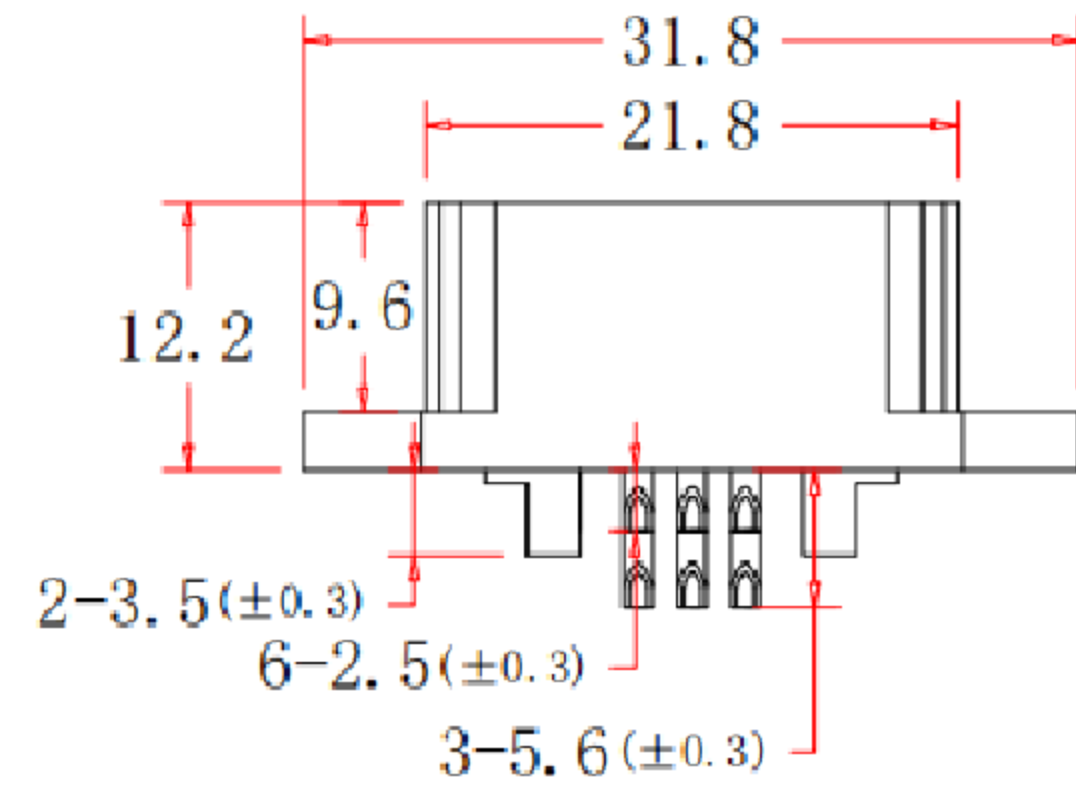
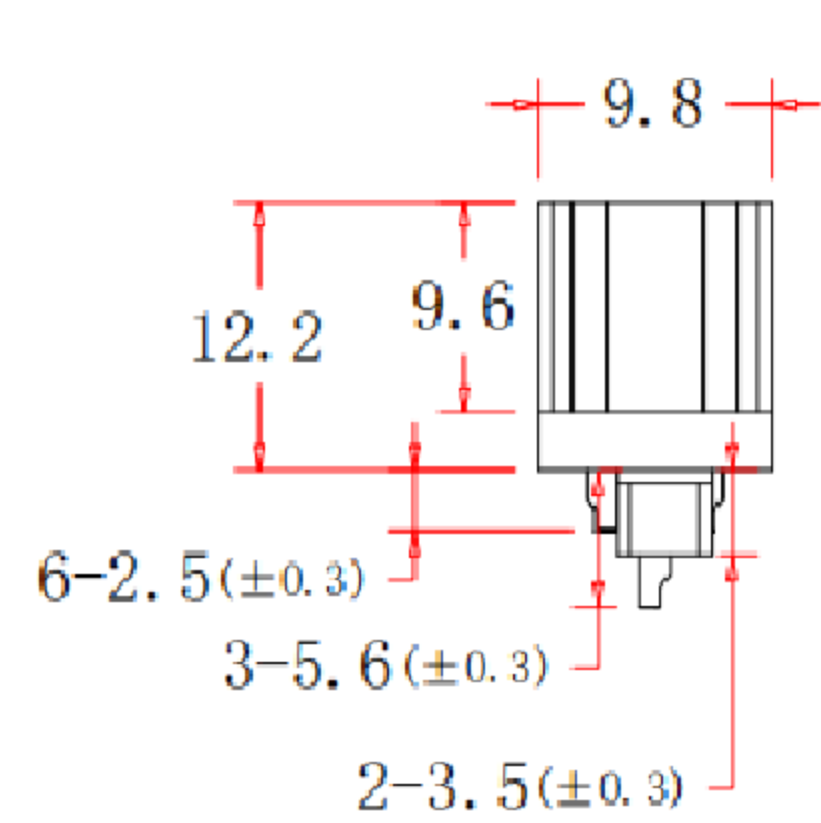
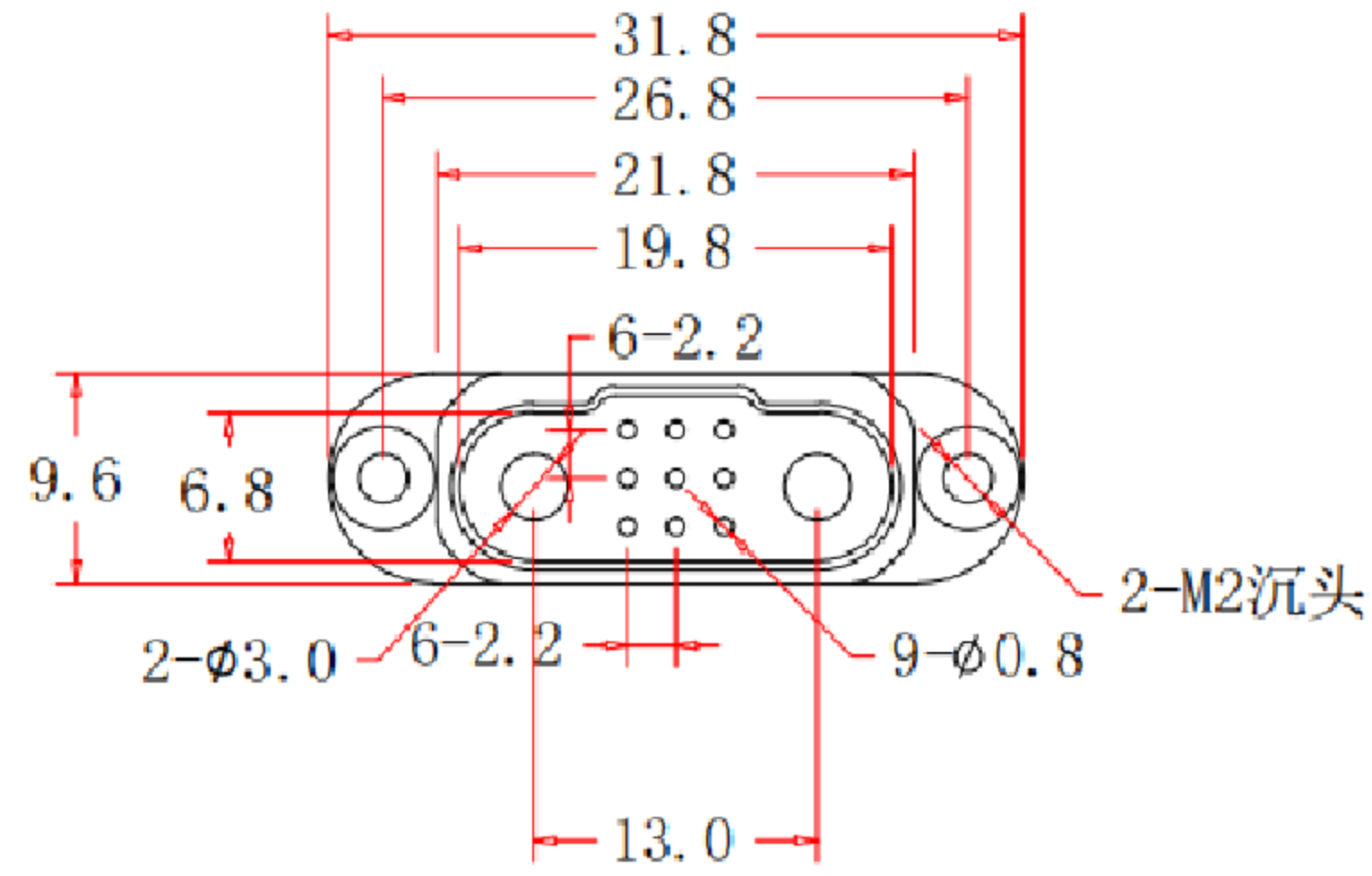


# GD-TX-2+9-11G公头

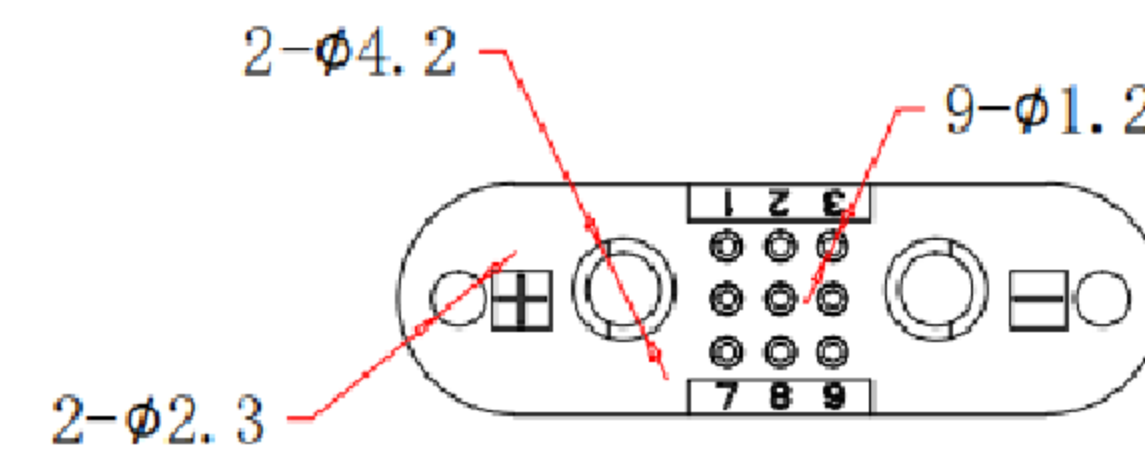
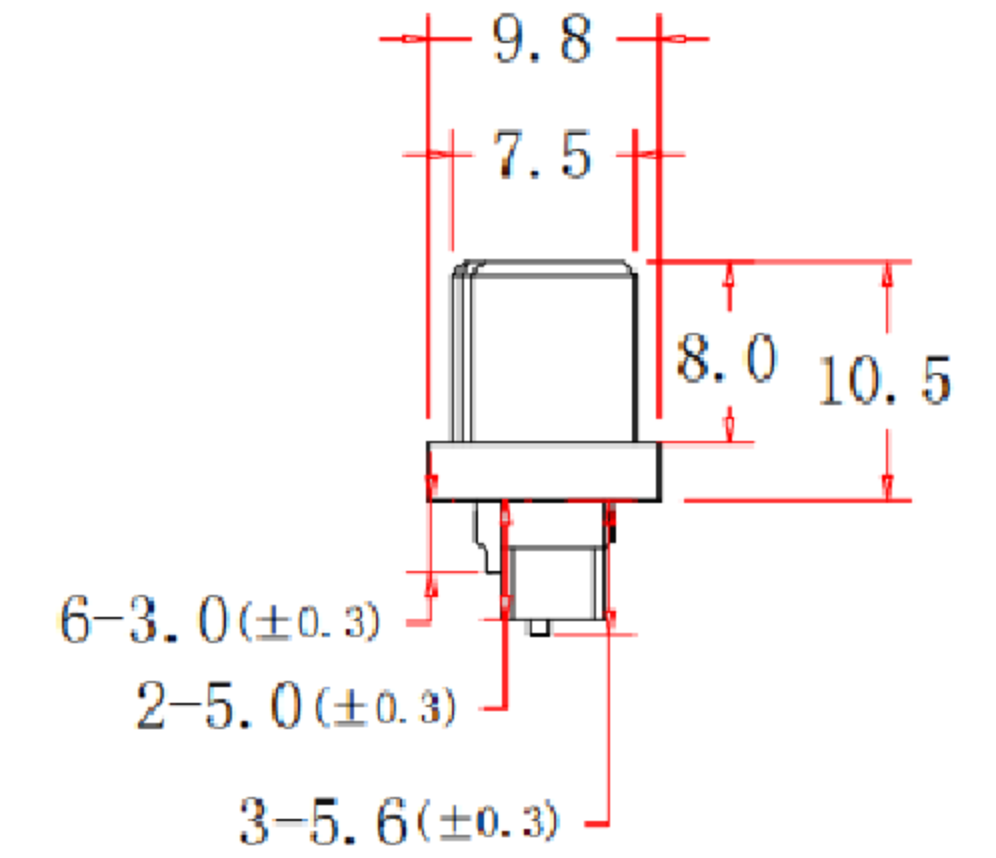
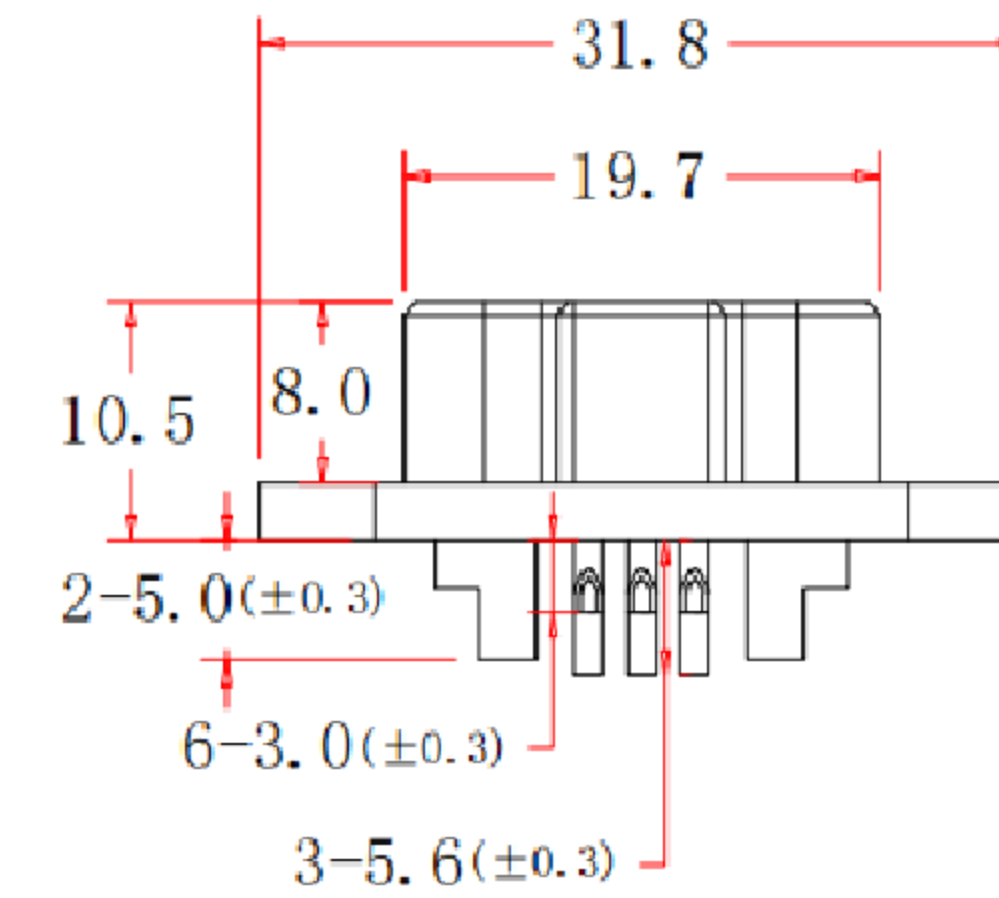
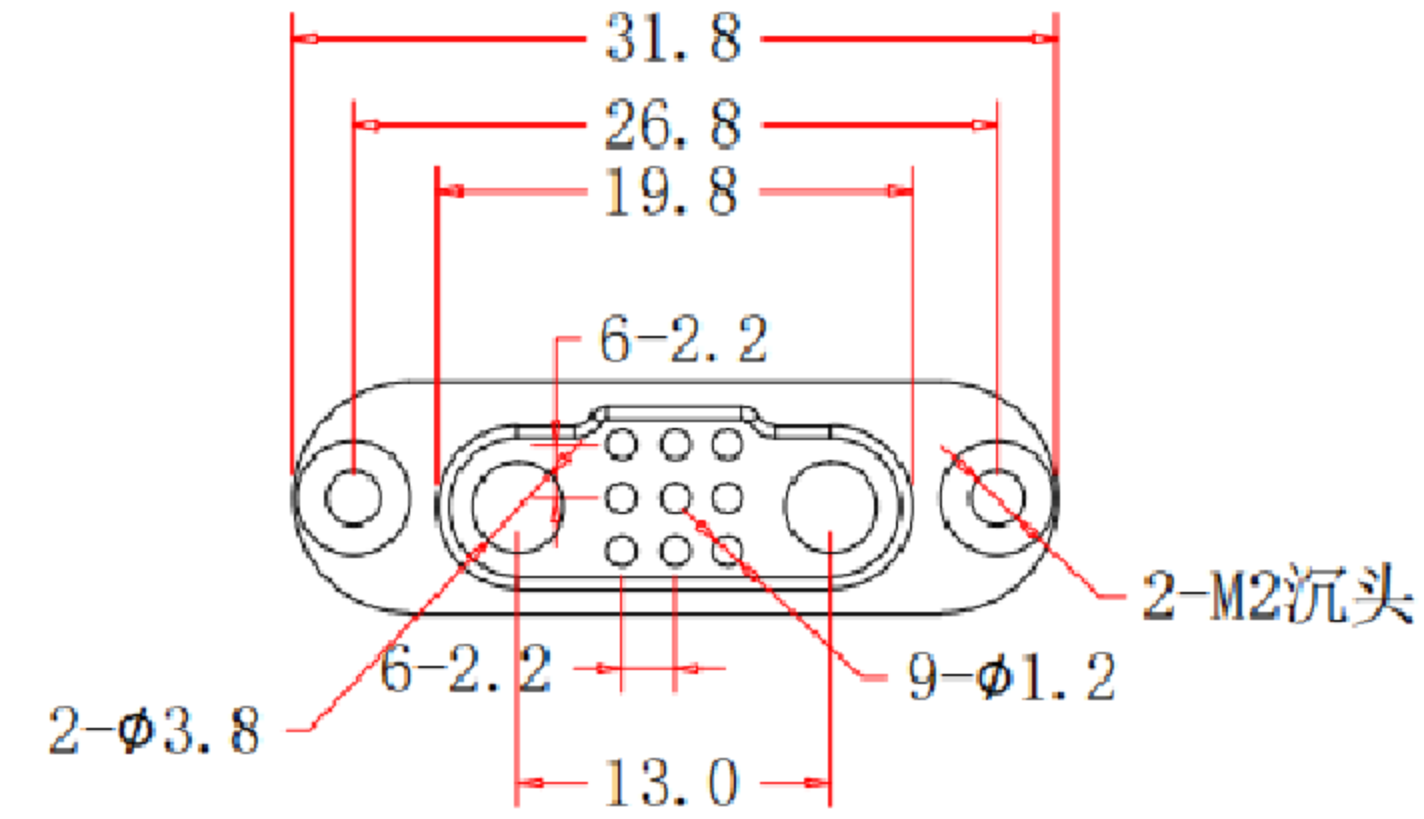


Recommended P.C. Board Layout

**产品型号:** GD-TX-2+9  
**产品颜色:** 黑色  
**金属材质:** 铜镀金(1u)  
**绝缘材质:** PA  
**瞬时电流:** (大)50A (小)5A  
**额定电流:** (大)25A(小) 3A  
**额定电压:** DC 500V  
**工作温度:** -20℃ to 100℃  
**推荐使用次数:** 2000 TIMES



# ZS-TX-2+9-11M 母座




**東莞市高迪電子有限公司**  
**DONG GUAN GAO DI ELECTRONICS CO., LTD**

TOLERANCE UNLESS OTHERWISE STATED: Up to 5 ±0.2, Above 5 ~ 15 ±0.3, Above 15 ~ 30 ±0.4, Above 30 ~ 50 ±0.5, Angle ±0.3°  
 3RD. ANGEL'S  
 UNITS MM

DRAWN BY:	DATE	MAT'L	TITLE	CONNECTOR
Jack Lu	12/13/19			
CHECKED BY:	DATE	FINISH	MODLE	GD-TX-2+9-11
Jacky Chen	12/13/19			
APPROVED BY:	DATE	SCALE	DWG NO.	
Tony Kao	12/13/19	1:1		
		SHEET NO.	PART NO.	
		1 of 1		

ITEM NO.	DESCRIPTION	DRAWN	DATE